

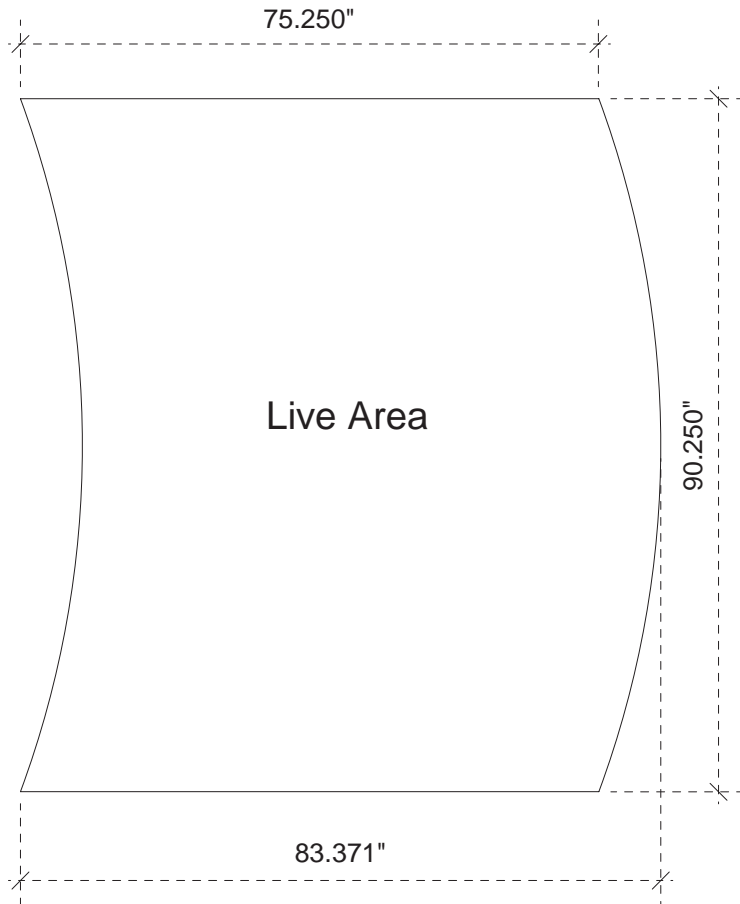
VK-2096 Graphic Dimensions

Tension Fabric Backwall

QTY: 2 (1 will be a mirrored image)

Please ADD 1" of bleed to all 4 sides

1/2" Hook Velcro needs to be sewn into all 4 FRONT sides.



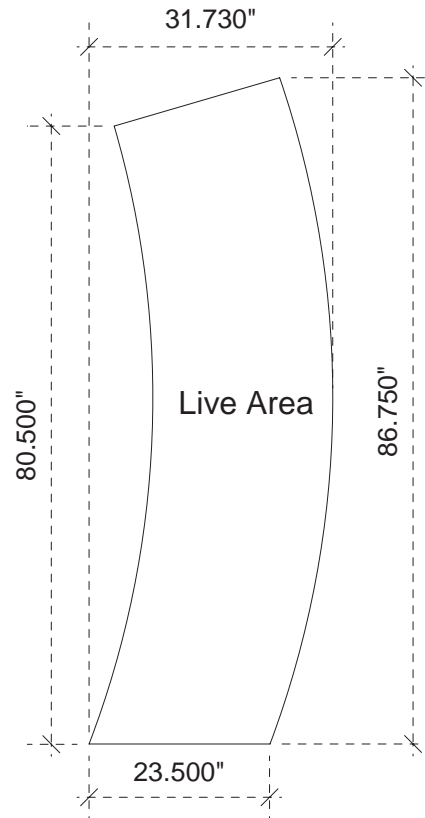
Circle Radius: 130.2281"

Tension Fabric Side Graphic

QTY: 2 (1 will be a mirrored image)

Please ADD 1" of bleed to all 4 sides

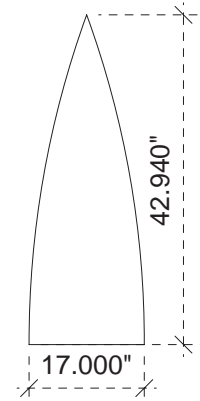
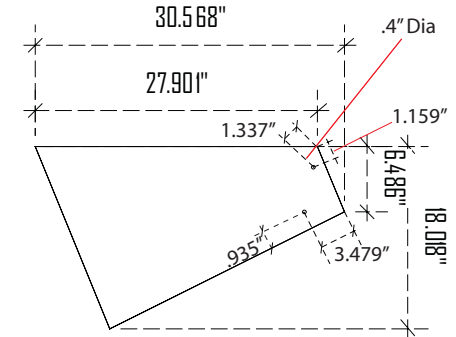
1/2" Hook Velcro needs to be sewn into all 4 FRONT sides.



Custom Pedestal Sign

Graphic Printed on 1/4" Sintra

QTY: 2



Sintra Wing
QTY: 2

NOTE: Graphic files must be @ 150 dpi Finished Size.

NOTE: These dimensions are for graphic layout purposes. Graphic needs to be cut and test fitted to Magellen frame for exact sizes and cuts.